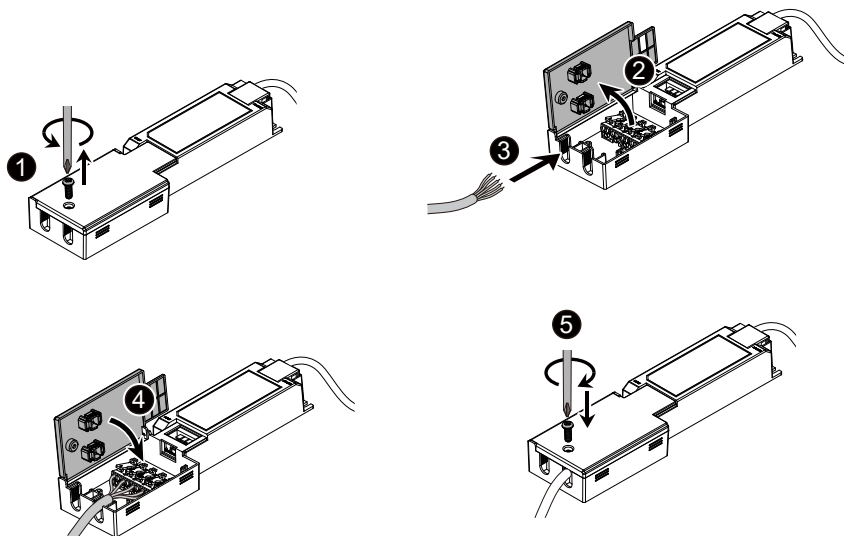


Connecting Power Supply

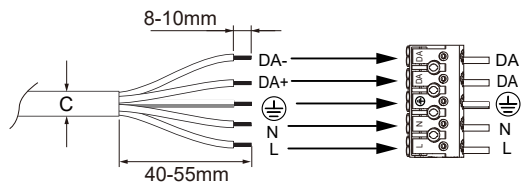
B DALI



5 Wires specification:



Outer diameter: $\varnothing 8\text{mm} \leq C \leq 10\text{mm}$
Core of cable: $5 \times 0.75 \sim 1.5\text{mm}^2$



LED Panel P Installation Manual



IMPORTANT SAFETY NOTES

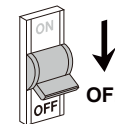


WARNING

RISK OF ELECTRIC SHOCK

BEFORE YOU BEGIN

- Read these instructions completely and carefully.
- The installation and connection of the luminaire must be done when switched off and by qualified people. Make sure no voltage while installation.

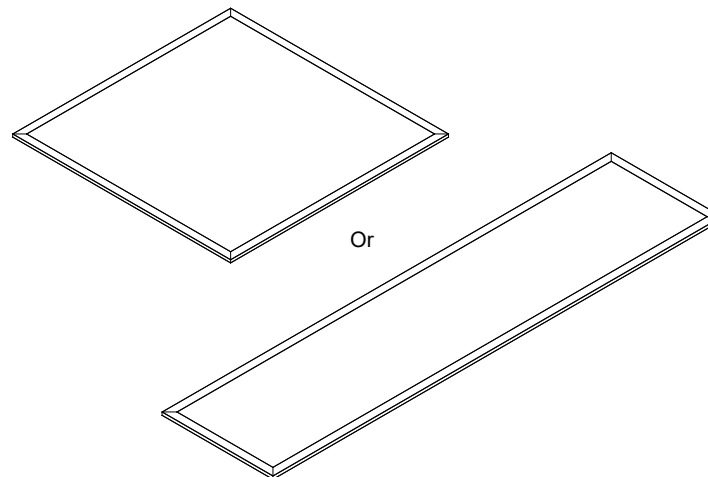


CAUTION

MAINTENANCE

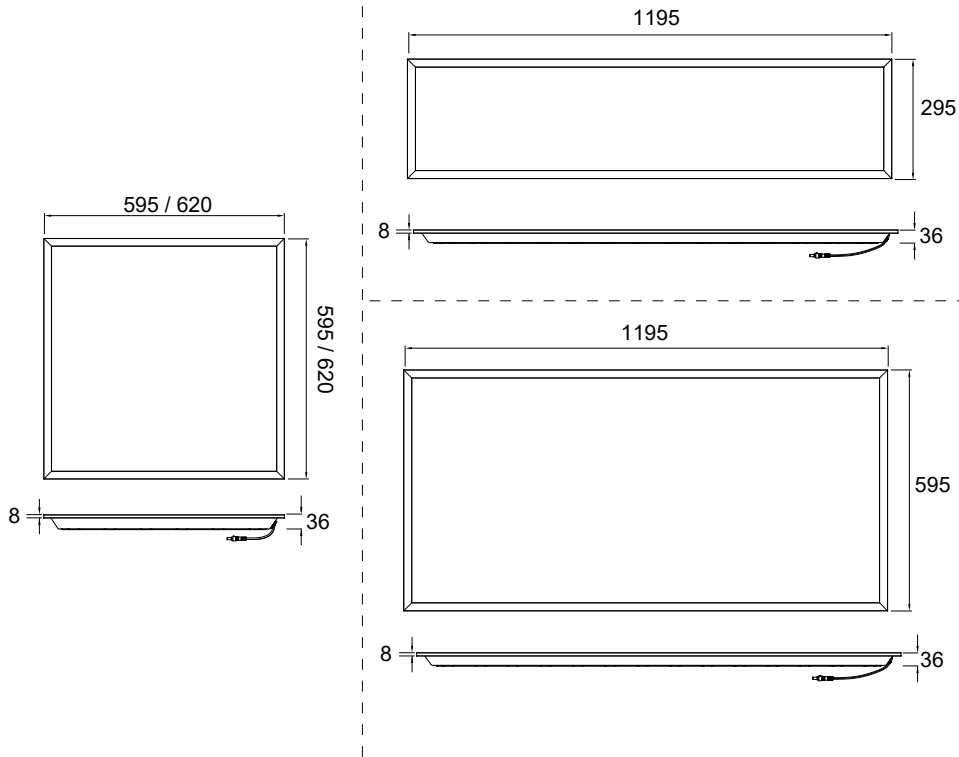
- To avoid injuries, disconnect power to the light and allow the unit to cool down before performing maintenance.
- Perform visual, mechanical and electrical inspections on a regular basis. We recommend routine checks to be made on an annual basis. Frequency of use and environment should determine this.
- The Covers should be cleaned periodically as needed to ensure continued photometric performance. Clean the Cover with a damp, non-abrasive, lintfree cloth. If not sufficient, use mild soap or a liquid cleaner. Do not use an abrasive, strong alkaline or acid cleaner as damage may occur.
- Inspect the topside on the luminaire to ensure that it is free of any obstructions or contamination (i.e. excessive dust build-up). Clean with a non-abrasive cloth if needed.

Products



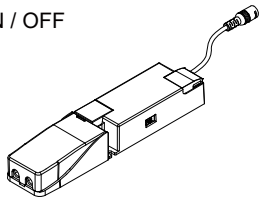
Dimensions

[mm]

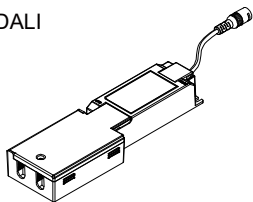


Optional Driver

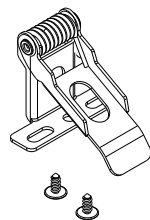
ON / OFF



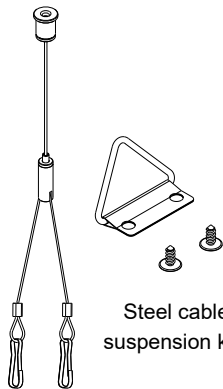
DALI



Optional Accessories



Retaining spring kits

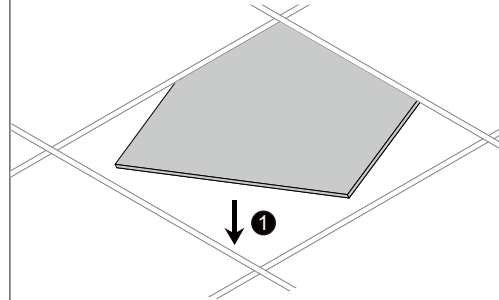


Steel cable suspension kits

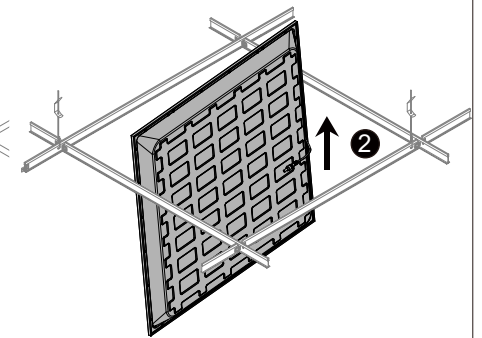
Installation Steps

A Embedded installation

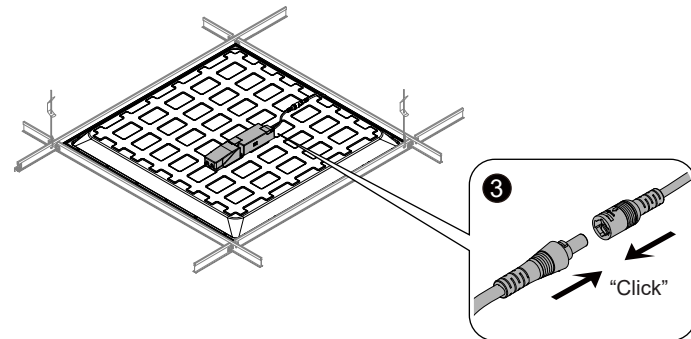
1. Remove the ceiling drywall



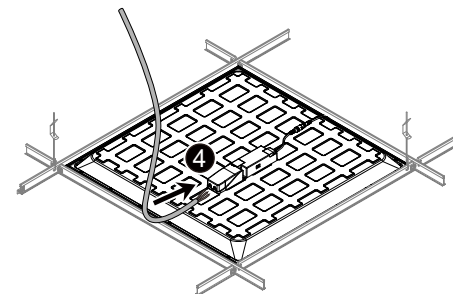
2. Place the luminaire on the keel frame



3. Connecting Driver



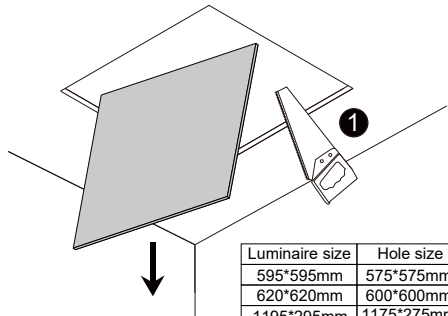
4. Connecting Power Supply



Installation Steps

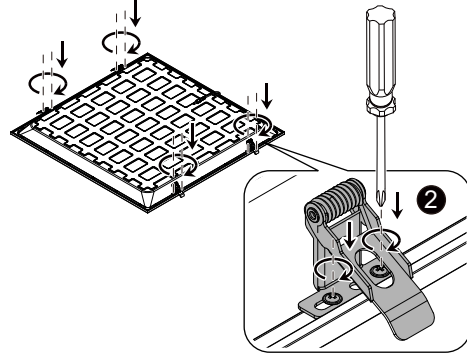
B Installation of retaining spring

1. Drill holes in the ceiling according to the size of the luminaire

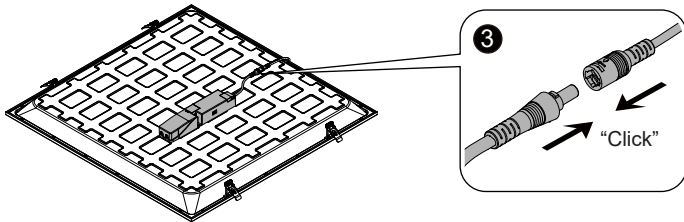


Luminaire size	Hole size
595*595mm	575*575mm
620*620mm	600*600mm
1195*295mm	1175*275mm
1195*595mm	1175*575mm

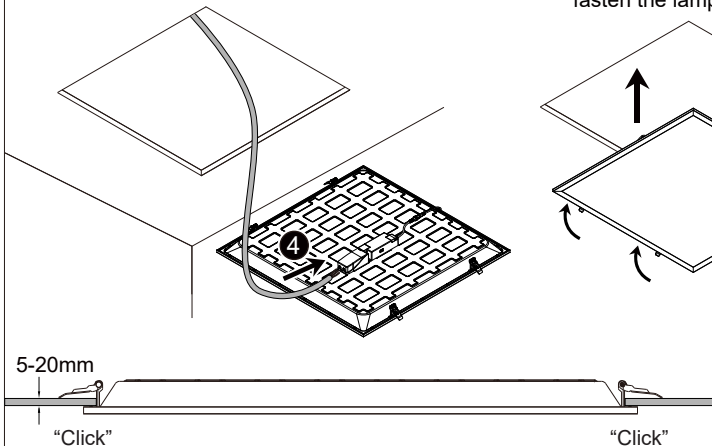
2. Fix the retaining spring to the luminaire with screws



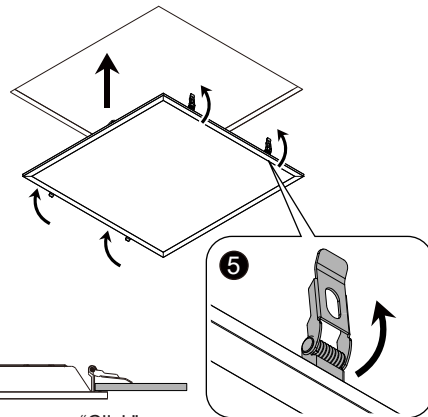
3. Connecting Driver



4. Connecting Power Supply



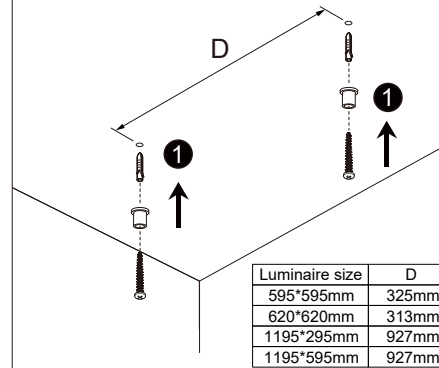
5. Straighten the retaining spring and fasten the lamp into the ceiling



Installation Steps

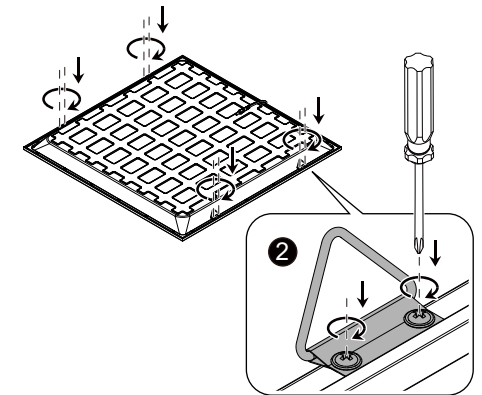
C Suspended mounted

1. Measure the distance and drill holes to suspend the steel cable suspension kits

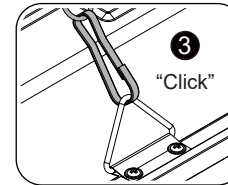


Luminaire size	D
595*595mm	325mm
620*620mm	313mm
1195*295mm	927mm
1195*595mm	927mm

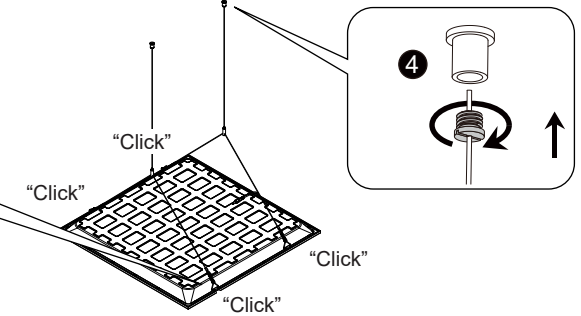
2. Fix the triangular lifting lugs to the luminaire with screws



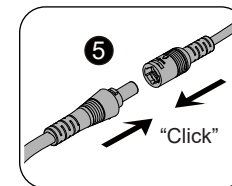
3. Clamp the steel cable onto the triangular lifting lugs



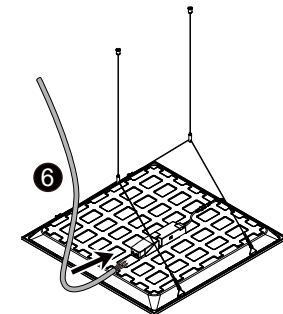
4. Fix the steel cable kit to the ceiling



5. Connecting Driver

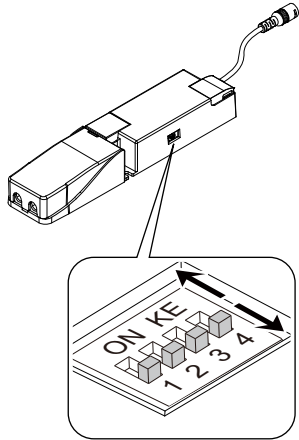


6. Connecting Power Supply



Wattage setting

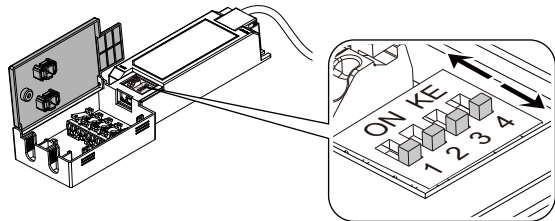
A ON / OFF



Article No.: 1010109, 1010110, 1010113, 1010114, 1010117, 1010118, 1010566, 1010567, 1010570, 1010571, 1010574, 1010575

mA	1	2	3	4	Power(W)
500	OFF	OFF	OFF	OFF	21
550	ON	OFF	OFF	OFF	23
600	OFF	ON	OFF	OFF	25
650	OFF	OFF	ON	OFF	27
700	ON	OFF	ON	OFF	29
750	OFF	ON	ON	OFF	31
800	OFF	OFF	OFF	ON	33
850	ON	OFF	OFF	ON	35
900	OFF	ON	OFF	ON	38
950	OFF	OFF	ON	ON	40
1000	ON	OFF	ON	ON	42

B DALI

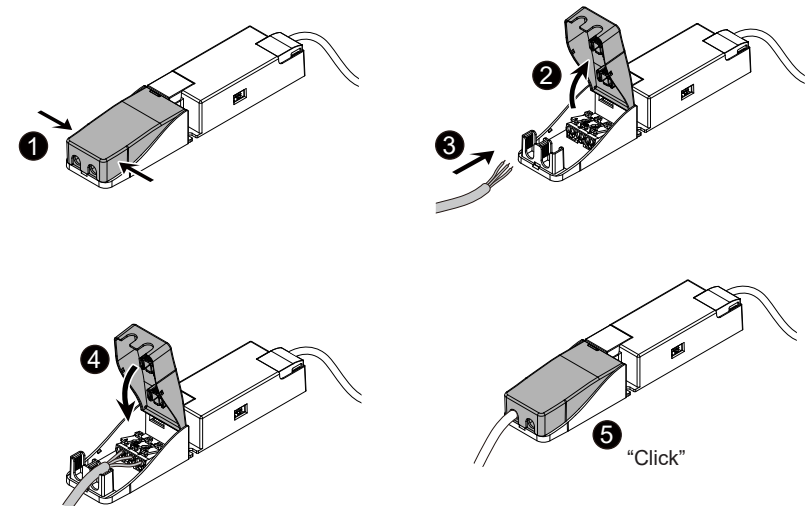


Article No.: 1010111, 1010112, 1010115, 1010116, 1010119, 1010120, 1010568, 1010569, 1010572, 1010573, 1010576, 1010577

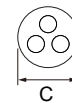
mA	1	2	3	4	Power(W)
600	OFF	ON	ON	ON	26
650	ON	OFF	ON	ON	28
700	OFF	OFF	ON	ON	30
750	OFF	ON	OFF	ON	32
800	OFF	OFF	OFF	ON	34
850	ON	ON	ON	OFF	37
900	OFF	OFF	ON	OFF	39
950	OFF	ON	OFF	OFF	41

Connecting Power Supply

A ON / OFF



3 Wires specification:



Outer diameter: $\varnothing 8\text{mm} \leq C \leq 10\text{mm}$
Core of cable: $3 \times 0.75 \sim 2.5\text{mm}^2$

