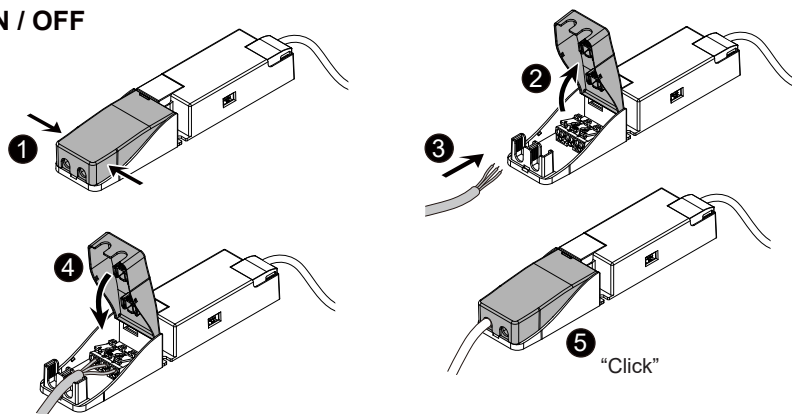
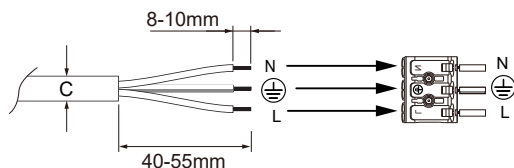
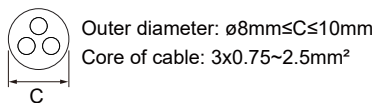


Connecting Power Supply

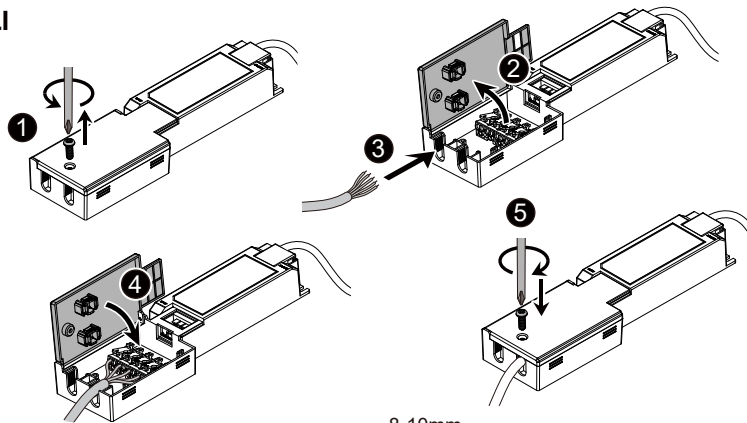
A ON / OFF



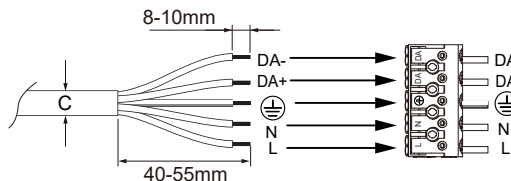
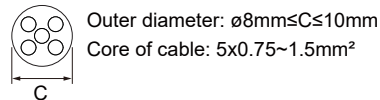
3 Wires specification:



B DALI



5 Wires specification:



LED Panel P Installation Manual



IMPORTANT SAFETY NOTES



WARNING
RISK OF ELECTRIC SHOCK

BEFORE YOU BEGIN

- Read these instructions completely and carefully.
- The installation and connection of the luminaire must be done when switched off and by qualified people. Make sure no voltage while installation.

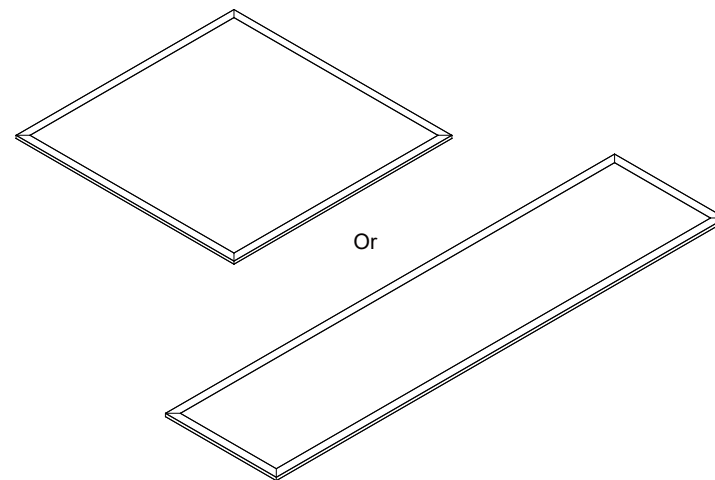


CAUTION

MAINTENANCE

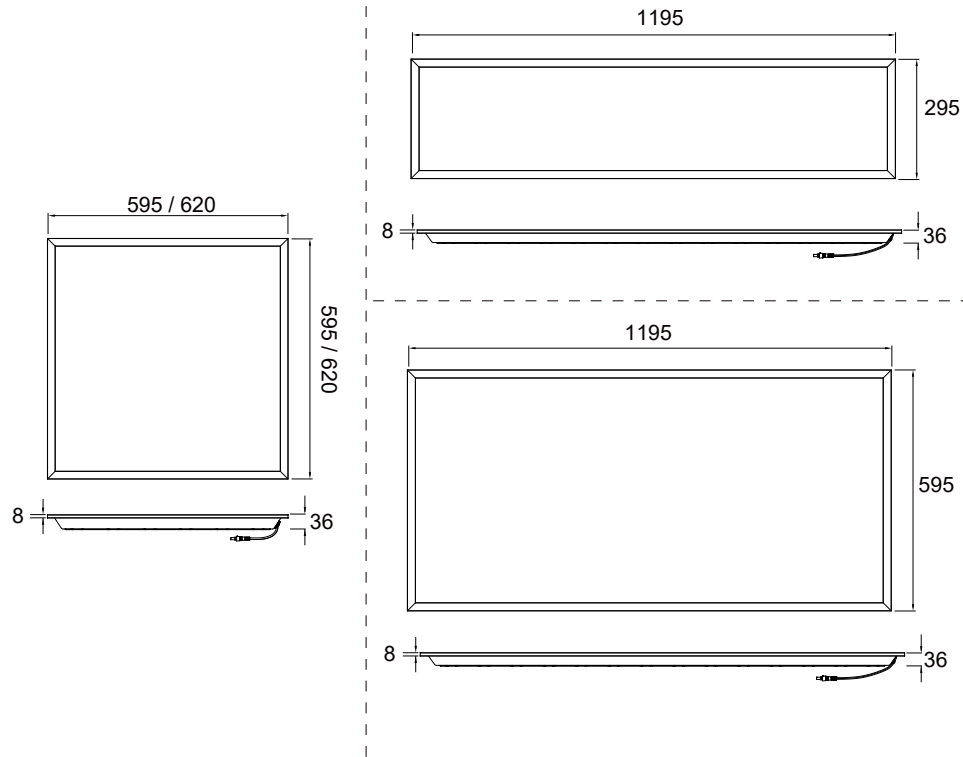
- To avoid injuries, disconnect power to the light and allow the unit to cool down before performing maintenance.
- Perform visual, mechanical and electrical inspections on a regular basis. We recommend routine checks to be made on an annual basis. Frequency of use and environment should determine this.
- The Covers should be cleaned periodically as needed to ensure continued photometric performance. Clean the Cover with a damp, non-abrasive, lintfree cloth. If not sufficient, use mild soap or a liquid cleaner. Do not use an abrasive, strong alkaline or acid cleaner as damage may occur.
- Inspect the topside on the luminaire to ensure that it is free of any obstructions or contamination (i.e. excessive dust build-up). Clean with a non-abrasive cloth if needed.

Products



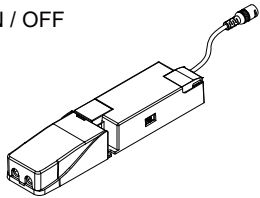
Dimensions

[mm]

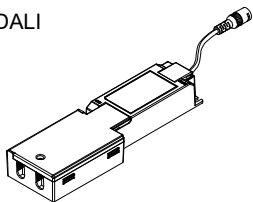


Optional Driver

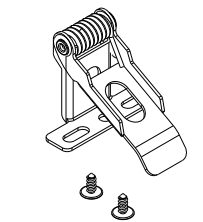
ON / OFF



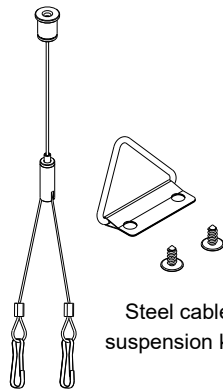
DALI



Optional Accessories



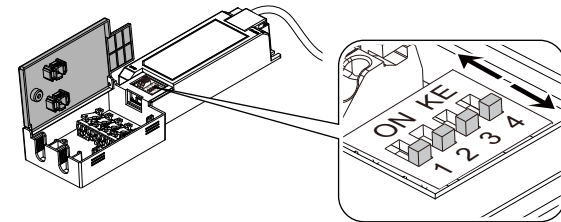
Retaining spring kits



Steel cable suspension kits

Wattage setting

B DALI

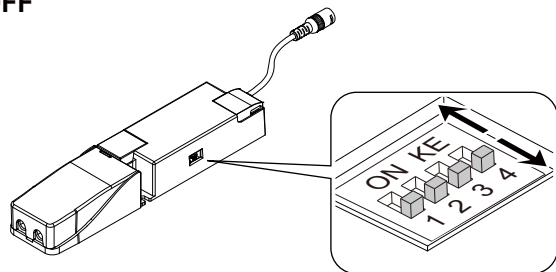


Output current [mA]	Switch position (ON/OFF)				Power [W]	1010112, 1010116 1010569, 1010573 1010750, 1010754		1010111, 1010115 1010568, 1010572 1010749, 1010753	
	1	2	3	4		3000K		4000K	
						Light effect [lm/W]	Flux [lm]	Light effect [lm/W]	Flux [lm]
600	OFF	ON	ON	ON	25	169.6	4130	178.5	4350
650	ON	OFF	ON	ON	27	169.0	4480	177.9	4710
700	OFF	OFF	ON	ON	29	168.5	4820	177.3	5070
750	OFF	ON	OFF	ON	31	167.7	5160	176.5	5430
800	OFF	OFF	OFF	ON	33	166.9	5460	175.7	5750
850	ON	ON	ON	OFF	35	166.2	5790	175.0	6100
900	OFF	OFF	ON	OFF	38	165.2	6130	173.9	6450
950	OFF	ON	OFF	OFF	40	164.3	6460	173.0	6800

Output current [mA]	Switch position (ON/OFF)				Power [W]	1010120, 1010577		1010119, 1010576	
	1	2	3	4		3000K		4000K	
						Light effect [lm/W]	Flux [lm]	Light effect [lm/W]	Flux [lm]
600	OFF	ON	ON	ON	25	175.4	4230	184.6	4450
650	ON	OFF	ON	ON	27	175.3	4590	184.5	4830
700	OFF	OFF	ON	ON	29	175.1	4980	184.3	5240
750	OFF	ON	OFF	ON	31	174.7	5320	183.9	5600
800	OFF	OFF	OFF	ON	33	174.1	5640	183.3	5930
850	ON	ON	ON	OFF	35	173.6	5980	182.8	6300
900	OFF	OFF	ON	OFF	38	173.2	6340	182.3	6670
950	OFF	ON	OFF	OFF	40	172.3	6690	181.4	7040

Wattage setting

A ON / OFF



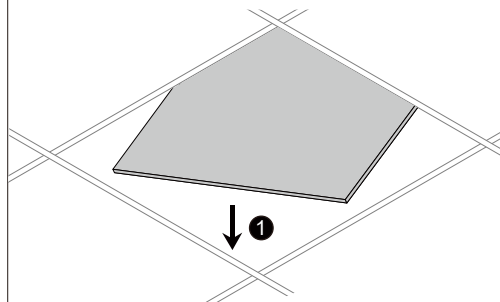
Output current [mA]	Switch position (ON/OFF)				Power [W]	1010110, 1010114 1010567, 1010571 1010748, 1010752		1010109, 1010113 1010566, 1010570 1010747, 1010751	
	1	2	3	4		3000K		4000K	
						Light effect [lm/W]	Flux [lm]	Light effect [lm/W]	Flux [lm]
500	OFF	OFF	OFF	OFF	21	169.6	3430	178.6	3610
550	ON	OFF	OFF	OFF	23	169.9	3780	178.8	3980
600	OFF	ON	OFF	OFF	25	169.6	4130	178.5	4350
650	OFF	OFF	ON	OFF	27	169.0	4480	177.9	4710
700	ON	OFF	ON	OFF	29	168.5	4820	177.3	5070
750	OFF	ON	ON	OFF	31	167.7	5160	176.5	5430
800	OFF	OFF	OFF	ON	33	166.9	5460	175.7	5750
850	ON	OFF	OFF	ON	35	166.2	5790	175.0	6100
900	OFF	ON	OFF	ON	38	165.2	6130	173.9	6450
950	OFF	OFF	ON	ON	40	164.3	6460	173.0	6800
1000	ON	OFF	ON	ON	42	163.3	6780	171.9	7130

Output current [mA]	Switch position (ON/OFF)				Power [W]	1010118, 1010575		1010117, 1010574	
	1	2	3	4		3000K		4000K	
						Light effect [lm/W]	Flux [lm]	Light effect [lm/W]	Flux [lm]
500	OFF	OFF	OFF	OFF	21	175.1	3520	184.4	3700
550	ON	OFF	OFF	OFF	23	175.5	3870	184.7	4070
600	OFF	ON	OFF	OFF	25	175.4	4230	184.6	4450
650	OFF	OFF	ON	OFF	27	175.3	4590	184.5	4830
700	ON	OFF	ON	OFF	29	175.1	4980	184.3	5240
750	OFF	ON	ON	OFF	31	174.7	5320	183.9	5600
800	OFF	OFF	OFF	ON	33	174.1	5640	183.3	5930
850	ON	OFF	OFF	ON	35	173.6	5980	182.8	6300
900	OFF	ON	OFF	ON	38	173.2	6340	182.3	6670
950	OFF	OFF	ON	ON	40	172.3	6690	181.4	7040
1000	ON	OFF	ON	ON	42	171.7	7020	180.7	7390

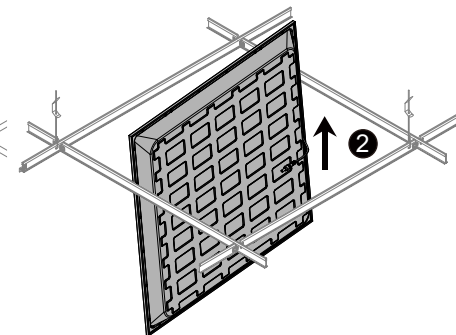
Installation Steps

A Embedded installation

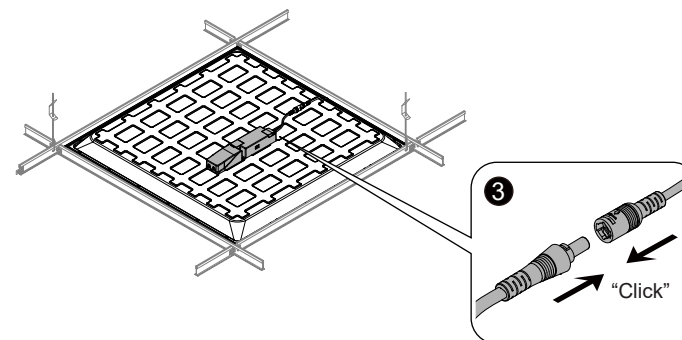
1. Remove the ceiling drywall



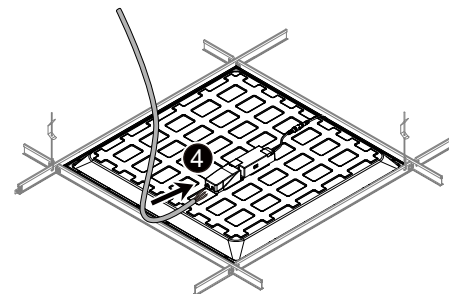
2. Place the luminaire on the keel frame



3. Connecting Driver



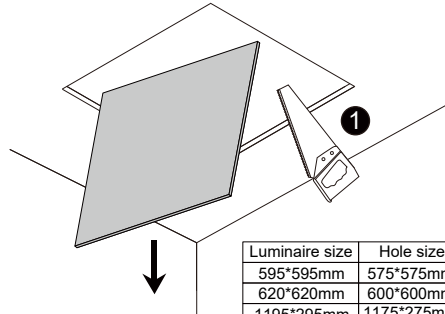
4. Connecting Power Supply



Installation Steps

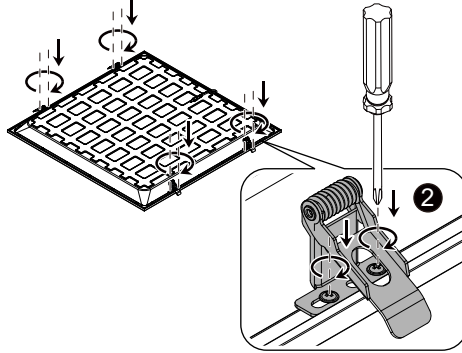
B Installation of retaining spring

1. Drill holes in the ceiling according to the size of the luminaire

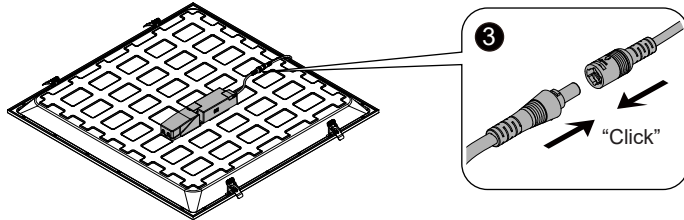


Luminaire size	Hole size
595*595mm	575*575mm
620*620mm	600*600mm
1195*295mm	1175*275mm
1195*595mm	1175*575mm

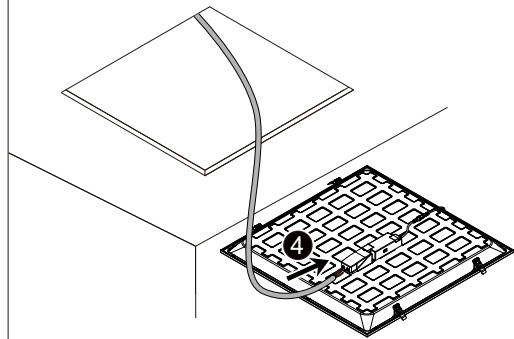
2. Fix the retaining spring to the luminaire with screws



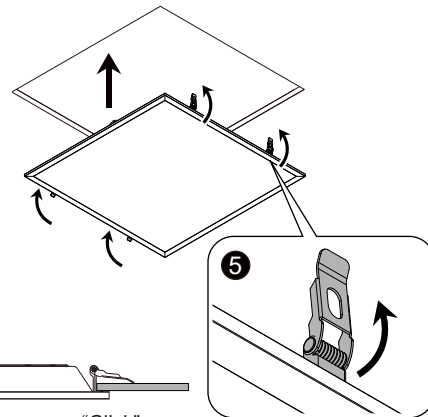
3. Connecting Driver



4. Connecting Power Supply



5. Straighten the retaining spring and fasten the lamp into the ceiling



5-20mm

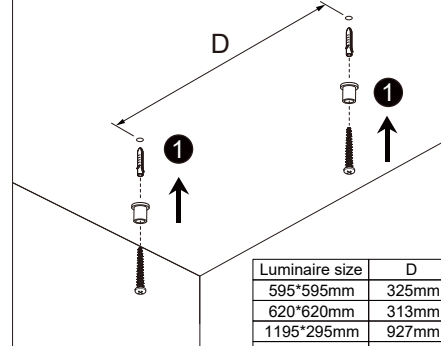
"Click"

"Click"

Installation Steps

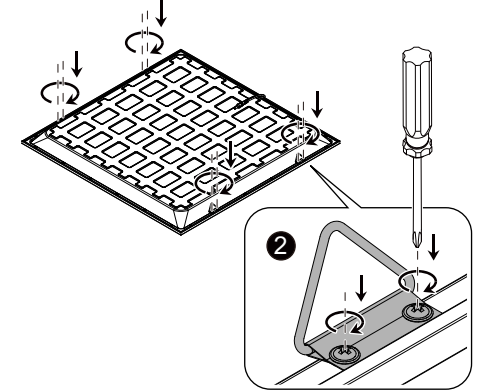
C Suspended mounted

1. Measure the distance and drill holes to suspend the steel cable suspension kits

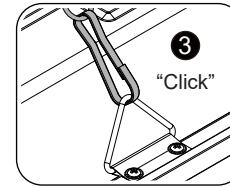


Luminaire size	D
595*595mm	325mm
620*620mm	313mm
1195*295mm	927mm
1195*595mm	927mm

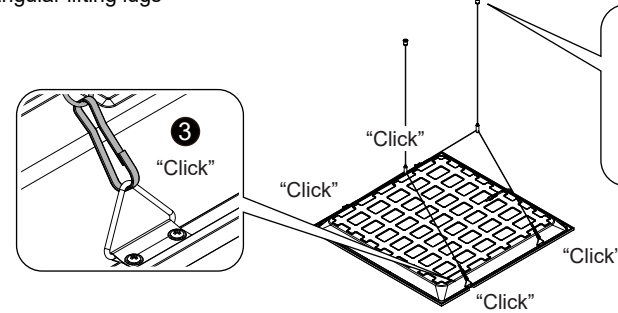
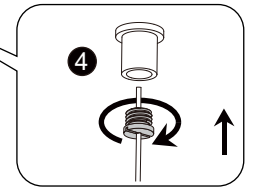
2. Fix the triangular lifting lugs to the luminaire with screws



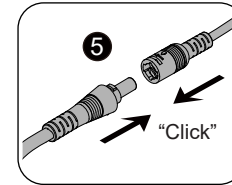
3. Clamp the steel cable onto the triangular lifting lugs



4. Fix the steel cable kit to the ceiling



5. Connecting Driver



6. Connecting Power Supply

